



Industrial electronics, inc.

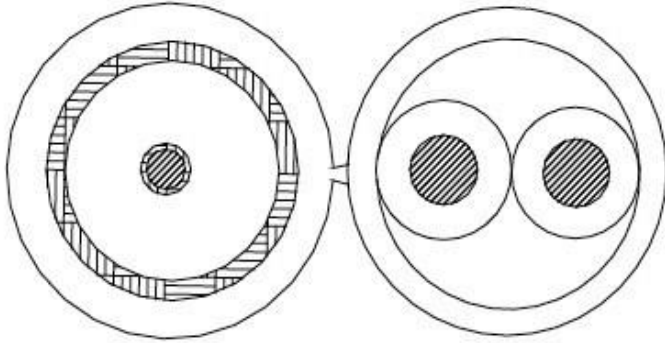
Phone (808) 847-4300  
Fax (808) 841-0960

1353 Mookaula Street  
Honolulu, HI 96817



## Combo Siamese Cable RG59 + 18/2 Power Cable

### Cross Section



### Performance

#### Electrical Characteristics

Frequency (MHz)	Attenuation (dB/100m)	Frequency (MHz)	Attenuation (dB/100m)
5	3.07	1000	28.87
55	6.71	1200	31.80
100	8.92	1450	35.05
211	12.81	1750	38.98
250	13.88	1850	40.08
270	14.46	2000	41.65
300	15.24	2050	42.19
330	16.06	2100	42.69
350	16.56	2150	43.19
400	17.42	2200	43.69
450	18.92	2250	44.19
500	20.09	2300	44.69
550	21.06	2500	46.58
600	22.06	2700	48.40
750	24.84	3000	51.04
870	26.91		

### Marking

RG59/U 95% 2C 18AWG CMR FT4 3180662 VERIFIED TO  
C(ETL)US \*\*\*\*FT 1000FT.....0998FT.....0996FT.....0002FT

### Description

Product Standard Certification ETL  
Flammability Test FT4

### Application

CCTV Combo Siamese Cable RG59 + 18/2 Power Cable

### Reference Standard

SCTE RoHS

### Construction

Items	Nominal Value	Tolerance
Center Conductor	AWG	20
	Material	CCS( Copper Clad Steel)
	Diameter(mm)	0.813 ±1%
Dielectric	Material	Foam PE
	Diameter(mm)	3.66 ±0.1
	Concentricity(%)	90% ≥
Outer Conductor	Braid material	Copper Clad Aluminum Wire
	Construction (mm)	8*16*0.12mm
	Braiding Coverage (%)	95 ±1%
Power Cable	Conductor AWG	18
	Conductor Material	Solid Copper
	Number of Conductor	2
	Construction (mm)	7*0.38mm
	Dielectric Material	PE
Jacket	Dielectric Diameter (mm)	1.8 ±0.1
	Jacket material	PVC
	Jacket color	Black/White
	Nom. Thickness (mm)	0.64
	Min. Thickness(mm)	0.51
Cable Diameter (mm)	6.10 ±0.2	

### Items

### Nominal Value Tolerance

Dielectric Strength (kV/min)	2.5	≥
Impedence(Ohm)	75	±3
SRL (dB,5~1000MHz)	20	≥
(dB,1000~3000MHz)	15	≥
Capacitance (pF/ft)	15.5	±3
Center Conductor DCR @ 20°C (ohms/1000ft)	48.6	≤
Velocity Of Propagation (%)	84	≥

### Mechanical Characteristics:

Test Object	Jacket	
Test Material	PVC	
Aging Condition (°C×hrs)	100× 168	
Before Tensile Strength (Mpa)	13.8	≥
Elongation (%)	200	≥
After Aging Tensile Strength Reserve rate (%)	50	≥
Elongation Reserve rate (%)	50	≥
Cold Bend (4hrs, No crack)	-40°C	±2

### Part Numbers

Part Numbers	Color	Put-Up
H59+182JRBK2	Black	Reel
H59+182JRWH2	White	Reel
H59+182JRBK3-500	Black	RIB
H59+182JRWH3-500	White	RIB

### Nominal Weight

500'-22lbs  
1000'-45lbs